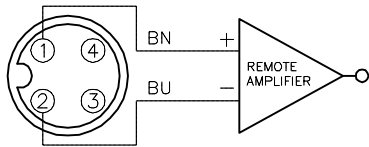


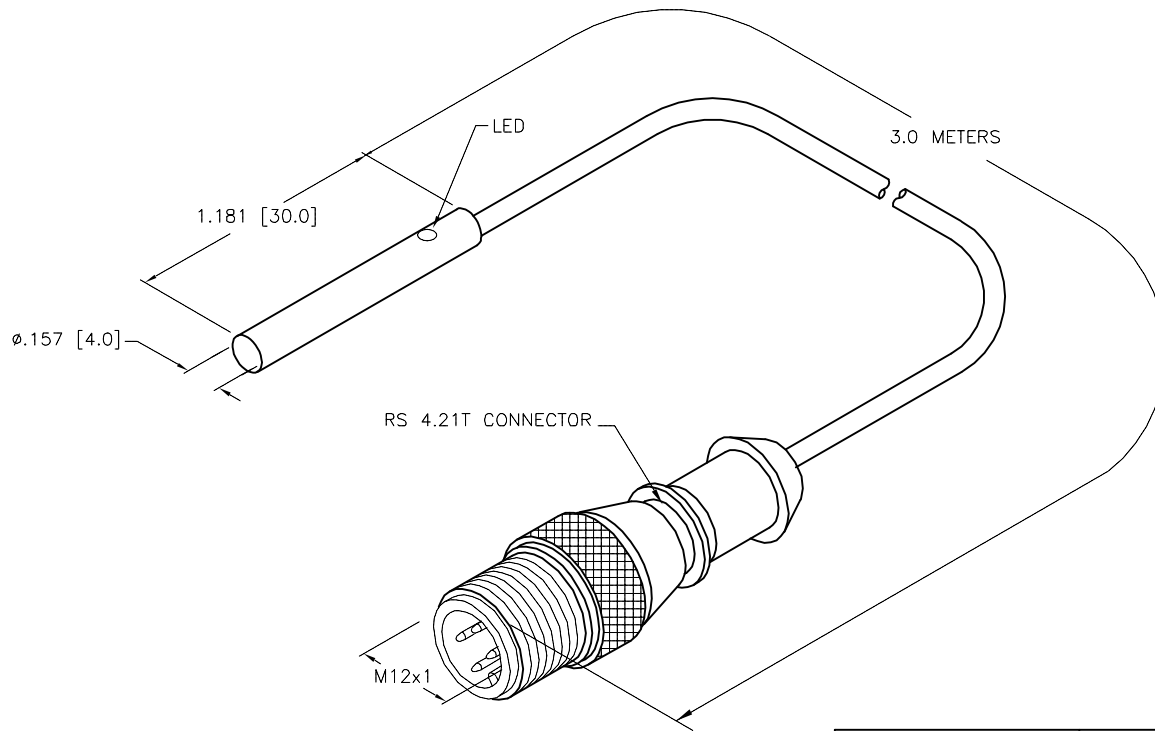
WIRING DIAGRAM




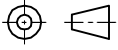
OUTPUT: Y1

SPECIFICATIONS

RATED OPERATING DISTANCE	1.0mm [.039"]
MOUNTING MODE	FLUSH
MIN. REPEAT ACCURACY	≤ 2%
TEMPERATURE DRIFT	≤ ± 10%
HYSTERESIS	1-10%
OPERATING TEMPERATURE	-25°C to +70°C (-13°F to +158°F)
OUTPUT FUNCTION	2-WIRE, NAMUR
OPERATING VOLTAGE	8.2 VDC NOMINAL
NON-ACTUATED CURRENT CONSUMPTION	≥ 2.1 mA
ACTUATED CURRENT CONSUMPTION	≤ 1.2 mA
HOUSING MATERIAL	METAL, STAINLESS STEEL, 1.4427 SO
ACTIVE FACE MATERIAL	PLASTIC, PA12-GF30
ELECTRICAL CONNECTION	M12x1
CABLE/COLOR/MATERIAL	ø3.0/BLUE/PVC
SHOCK RESISTANCE	30 g, 11 ms
VIBRATION RESISTANCE	55 Hz, 1 mm AMPLITUDE (IN ALL 3 PLANES)
SWITCHING STATUS INDICATION	LED: YELLOW
DEGREE OF PROTECTION	IP67



SOURCE DRAWING - FOR REFERENCE ONLY

RELATED DOCUMENTS		3RD ANGLE PROJECTION		THIS DRAWING IS CONFIDENTIAL AND THE PROPERTY OF TURCK INC. USE OF THIS DOCUMENT WITHOUT WRITTEN PERMISSION IS PROHIBITED.		 3000 CAMPUS DRIVE MINNEAPOLIS, MN 55441 1-800-544-7769 (763) 553-7300 (763) 553-0708 fax www.turck.us	
1.			DRFT	RDS	DATE	05/06/19	DESCRIPTION BI1-EH04-Y1-3-RS4.21T
2.			APVD	A.F.	SCALE	1=.8	
3.		ALL DIMENSIONS DISPLAYED ON THIS DRAWING ARE FOR REFERENCE ONLY  CONTACT TURCK FOR MORE INFORMATION	UNIT OF MEASUREMENT		IDENTIFICATION NO.		REV
4.			<b>INCH [ MILLIMETER ]</b>		100005037		A
MATERIAL		SEE NOTES		DO NOT SCALE THIS DRAWING		FILE: 100005037	
FINISH		SEE NOTES		SHEET 1 OF 1			

A	DRAWING RELEASE	RDS	06/24/19	
REV	DESCRIPTION	BY	DATE	ECO NO.