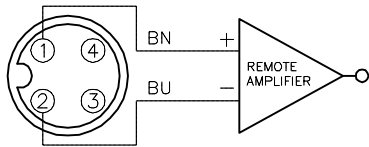


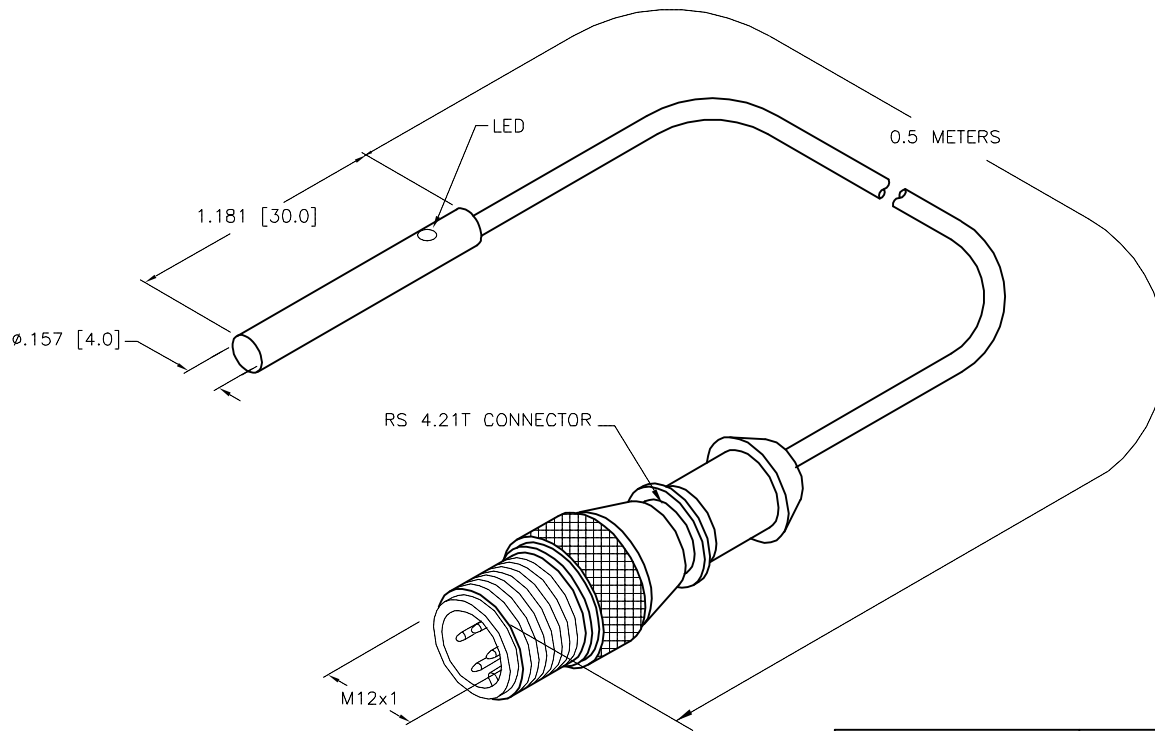
WIRING DIAGRAM




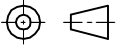
OUTPUT: Y1

SPECIFICATIONS

|                                  |   |
|----------------------------------|---|
| RATED OPERATING DISTANCE         | 1.0mm [.039"]                           |
| MOUNTING MODE                    | FLUSH                                   |
| MIN. REPEAT ACCURACY             | ≤ 2%                                    |
| TEMPERATURE DRIFT                | ≤ ± 10%                                 |
| HYSTERESIS                       | 1-10%                                   |
| OPERATING TEMPERATURE            | -25°C to +70°C (-13°F to +158°F)        |
| OUTPUT FUNCTION                  | 2-WIRE, NAMUR                           |
| OPERATING VOLTAGE                | 8.2 VDC NOMINAL                         |
| NON-ACTUATED CURRENT CONSUMPTION | ≥ 2.1 mA                                |
| ACTUATED CURRENT CONSUMPTION     | ≤ 1.2 mA                                |
| HOUSING MATERIAL                 | METAL, STAINLESS STEEL, 1.4427 SO       |
| ACTIVE FACE MATERIAL             | PLASTIC, PA12-GF30                      |
| ELECTRICAL CONNECTION            | M12x1                                   |
| CABLE/COLOR/MATERIAL             | ∅3.0/BLUE/PVC                           |
| SHOCK RESISTANCE                 | 30 g, 11 ms                             |
| VIBRATION RESISTANCE             | 55 Hz, 1 mm AMPLITUDE (IN ALL 3 PLANES) |
| SWITCHING STATUS INDICATION      | LED: YELLOW                             |
| DEGREE OF PROTECTION             | IP67                                    |



SOURCE DRAWING - FOR REFERENCE ONLY

|                   |  |   |   |  |       |   |  |     |
|-------------------|--|---|---|--|-------|---|--|-----|
| RELATED DOCUMENTS |  | 3RD ANGLE PROJECTION  |   | THIS DRAWING IS CONFIDENTIAL AND THE PROPERTY OF TURCK INC. USE OF THIS DOCUMENT WITHOUT WRITTEN PERMISSION IS PROHIBITED. |       | <br>3000 CAMPUS DRIVE<br>MINNEAPOLIS, MN 55441<br>1-800-544-7769<br>(763) 553-7300<br>(763) 553-0708 fax<br>www.turck.us |  |     |
| 1.                |  |                      | DRFT  | RDS  | DATE  | 05/08/19  | DESCRIPTION<br>B11-EH04-Y1-0.5-RS4.21T |     |
| 2.                |  |   | APVD  | A.F.   | SCALE | 1=.8  |  |     |
| 3.                |  | ALL DIMENSIONS DISPLAYED ON THIS DRAWING ARE FOR REFERENCE ONLY<br><br>CONTACT TURCK FOR MORE INFORMATION | UNIT OF MEASUREMENT<br><b>INCH [ MILLIMETER ]</b> |  |       |   | IDENTIFICATION NO.                     | REV |
| 4.                |  |   | DO NOT SCALE THIS DRAWING                         |  |       |   | 100005175                              | A   |
| MATERIAL          |  | SEE NOTES   |   | FILE: 100005175  |       | SHEET 1 OF 1  |  |     |
| FINISH            |  | SEE NOTES   |   |  |       |   |  |     |

|     |                 |     |          |         |
|-----|-----------------|-----|----------|---------|
| A   | DRAWING RELEASE | RDS | 06/19/19 |         |
| REV | DESCRIPTION     | BY  | DATE     | ECO NO. |