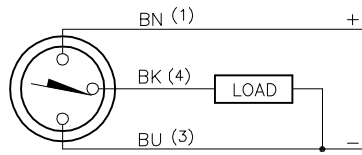
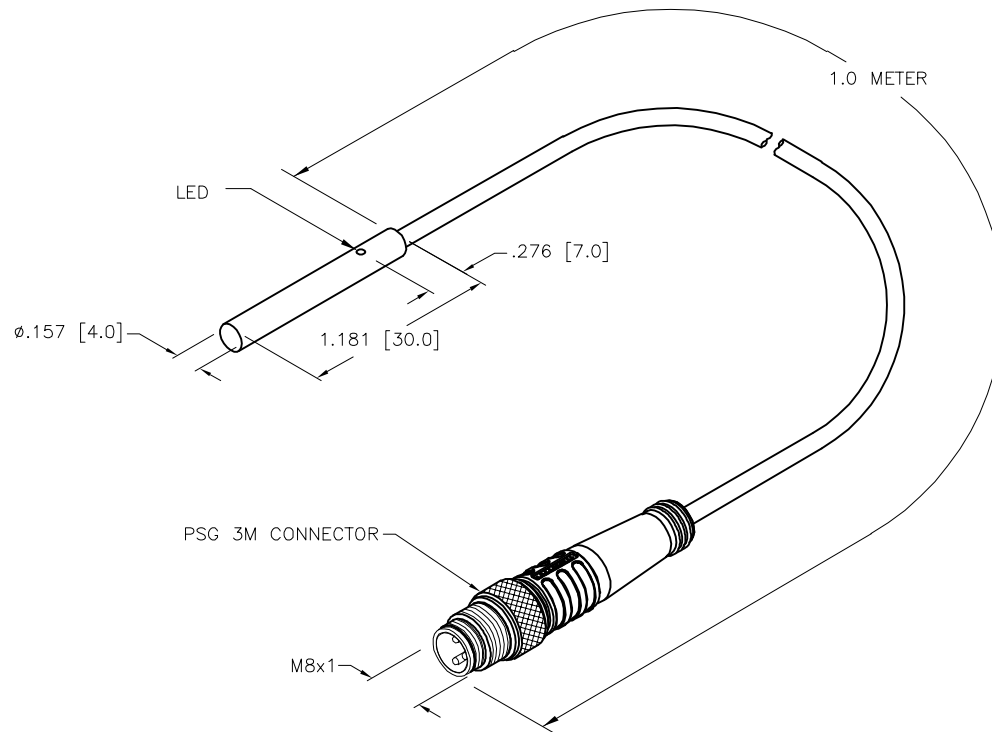


WIRING DIAGRAM



OUTPUT: AP6X

SHORT-CIRCUIT AND OVERLOAD PROTECTED



SPECIFICATIONS

RATED OPERATING DISTANCE	1mm = .039"
MOUNTING MODE	FLUSH
MIN. REPEAT ACCURACY	$\leq 2\%$
TEMPERATURE DRIFT	$\leq \pm 10\%$
HYSTERESIS	10%
OPERATING TEMPERATURE	-25°C to +70°C (-13°F to +158°F)
RATED OPERATIONAL VOLTAGE	10-30 VDC
RESIDUAL RIPPLE	$\leq 10\%$
DC RATED OPERATIONAL CURRENT	$\leq 100 \text{ mA}$
NO-LOAD CURRENT	$\leq 15 \text{ mA}$
RESIDUAL CURRENT	$\leq 0.1 \text{ mA}$
RATED INSULATION VOLTAGE	$\leq 0.5 \text{ kV}$
SHORT-CIRCUIT PROTECTION	INCORPORATED
MAX. VOLTAGE DROP	$\leq 1.8 \text{ V}$
WIRE BREAKAGE PROTECTION	INCORPORATED
REVERSE POLARITY PROTECTION	INCORPORATED
OUTPUT FUNCTION	3-WIRE, NORMALLY OPEN, PNP
MAX. SWITCHING FREQUENCY	$\leq 3 \text{ kHz}$
HOUSING MATERIAL	SST, 1.4305 (AISI 303)
ACTIVE FACE	PLASTIC, PA6.6
END CAP	PLASTIC, TROGAMID T
CABLE	$\phi 3.3$ , LiFy-11Y, TPU
VIBRATION RESISTANCE	55 Hz, 1 mm AMPLITUDE (IN ALL 3 PLANES)
SHOCK RESISTANCE	30 g, 11 ms
DEGREE OF PROTECTION	IP67
SWITCHING STATUS INDICATION	LED, YELLOW

SOURCE DRAWING - FOR REFERENCE ONLY

RELATED DOCUMENTS		3RD ANGLE PROJECTION		THIS DRAWING IS CONFIDENTIAL AND THE PROPERTY OF TURCK INC. USE OF THIS DOCUMENT WITHOUT WRITTEN PERMISSION IS PROHIBITED.		3000 CAMPUS DRIVE MINNEAPOLIS, MN 55441 1-800-544-7769 (763) 553-7300 (763) 553-0708 fax www.turck.us	
1. 2. 3. 4.				DRFT RDS DATE 08/21/13		DESCRIPTION B11-EH04-AP6X-1-PSG3M	
MATERIAL		ALL DIMENSIONS DISPLAYED ON THIS DRAWING ARE FOR REFERENCE ONLY		APVD A.F. SCALE 1=1.0		IDENTIFICATION NO. 46095403	
FINISH		CONTACT TURCK FOR MORE INFORMATION		UNIT OF MEASUREMENT <b>INCH [ MILLIMETER ]</b>		REV C	
C UPDATE SPECS		RDS 05/24/21 76767		DO NOT SCALE THIS DRAWING		FILE: 46095403	
REV DESCRIPTION		BY DATE ECO NO.				SHEET 1 OF 1	