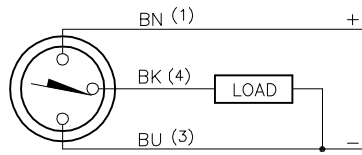
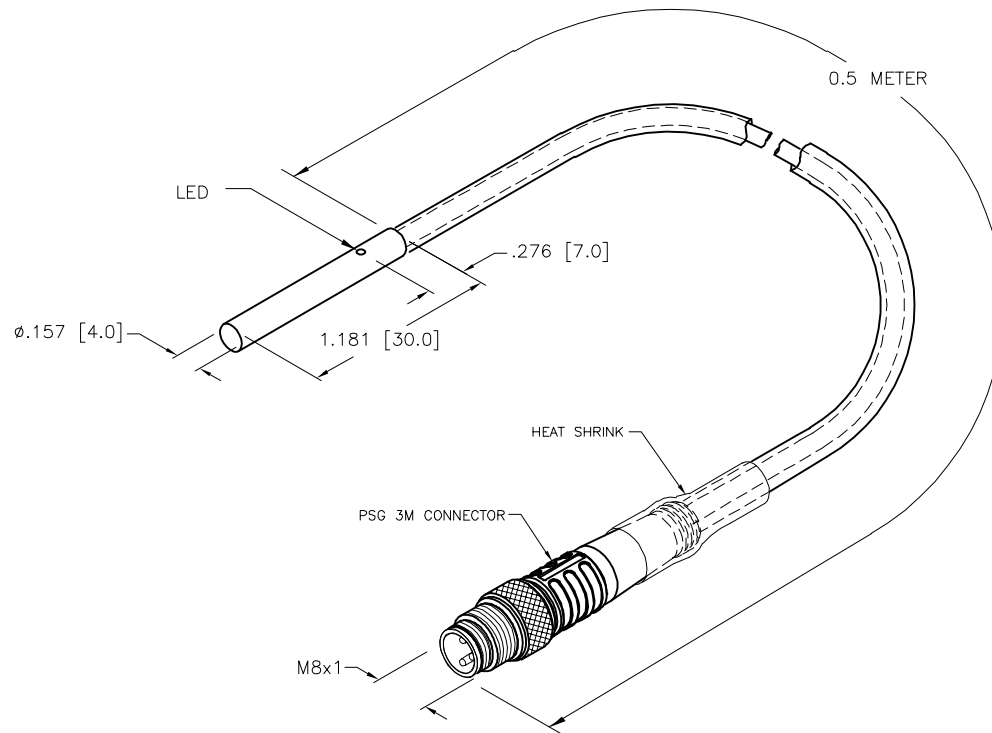


WIRING DIAGRAM



OUTPUT: AP6X

SHORT-CIRCUIT AND OVERLOAD PROTECTED



SPECIFICATIONS

RATED OPERATING DISTANCE	1mm = .039"
MOUNTING MODE	FLUSH
MIN. REPEAT ACCURACY	$\leq 2\%$
TEMPERATURE DRIFT	$\leq \pm 10\%$
HYSTERESIS	10%
OPERATING TEMPERATURE	-25°C to +70°C (-13°F to +158°F)
RATED OPERATIONAL VOLTAGE	10-30 VDC
RESIDUAL RIPPLE	$\leq 10\%$
DC RATED OPERATIONAL CURRENT	$\leq 100$ mA
NO-LOAD CURRENT	$\leq 15$ mA
RESIDUAL CURRENT	$\leq 0.1$ mA
RATED INSULATION VOLTAGE	$\leq 0.5$ kV
SHORT-CIRCUIT PROTECTION	INCORPORATED
MAX. VOLTAGE DROP	$\leq 1.8$ V
WIRE BREAKAGE PROTECTION	INCORPORATED
REVERSE POLARITY PROTECTION	INCORPORATED
OUTPUT FUNCTION	3-WIRE, NORMALLY OPEN, PNP
MAX. SWITCHING FREQUENCY	$\leq 3$ kHz
HOUSING MATERIAL	SST, 1.4305 (AISI 303)
ACTIVE FACE	PLASTIC, PA6.6
END CAP	PLASTIC, TROGAMID T
CABLE	$\phi 3.3$ , LiFy-11Y, TPU
VIBRATION RESISTANCE	55 Hz, 1 mm AMPLITUDE (IN ALL 3 PLANES)
SHOCK RESISTANCE	30 g, 11 ms
DEGREE OF PROTECTION	IP67
SWITCHING STATUS INDICATION	LED, YELLOW

SOURCE DRAWING - FOR REFERENCE ONLY

NOTES:

1. "/S1144" DESIGNATES USE PTFE (TEFLON) TUBING OVER SENSOR CABLE FOR PROTECTION.

TUBING STARTS AT SENSOR END, AND GET CAPTURED UNDER CONNECTOR MOLD MATERIAL. A 35MM PIECE OF SHRINK TUBING SHOULD OVERLAP THE MOLD BODY AND THE TUBING.

2. "/SV" DESIGNATES SPECIAL PACKAGING FOR VENDING MACHINE.

RELATED DOCUMENTS 1. 2. 3. 4.	3RD ANGLE PROJECTION 	THIS DRAWING IS CONFIDENTIAL AND THE PROPERTY OF TURCK INC. USE OF THIS DOCUMENT WITHOUT WRITTEN PERMISSION IS PROHIBITED.		3000 CAMPUS DRIVE MINNEAPOLIS, MN 55441 1-800-544-7769 (763) 553-7300 (763) 553-0708 fax www.turck.us	
	MATERIAL	DRFT TV	DATE 01/09/18	DESCRIPTION BI1-EH04-AP6X-0.5-PSG3M/S1144/SV	
FINISH	ALL DIMENSIONS DISPLAYED ON THIS DRAWING ARE FOR REFERENCE ONLY	APVD A.F.	SCALE 1=1.0	IDENTIFICATION NO. 4417075	
	CONTACT TURCK FOR MORE INFORMATION	UNIT OF MEASUREMENT <b>INCH [ MILLIMETER ]</b>		REV B	
		DO NOT SCALE THIS DRAWING		FILE: 4417075	SHEET 1 OF 1

B	UPDATE SPECS	RDS	05/21/21	76767
REV	DESCRIPTION	BY	DATE	ECO NO.