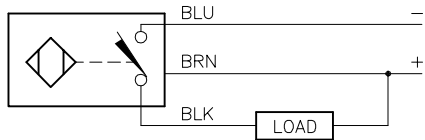
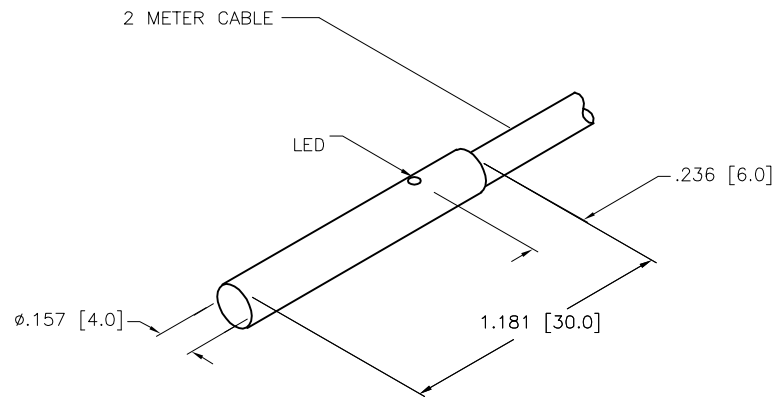


WIRING DIAGRAM



OUTPUT: AN6X

SHORT-CIRCUIT AND OVERLOAD PROTECTED




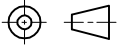
SPECIFICATIONS

RATED OPERATING DISTANCE	1mm [.039"]
MOUNTING MODE	FLUSH
TEMPERATURE DRIFT	≤±10%
HYSTERESIS	3-15%
MIN. REPEAT ACCURACY	≤2%
OPERATING TEMPERATURE	-25°C to +70°C (-13°F to +158°F)
RATED OPERATIONAL VOLTAGE	10-30 VDC
RESIDUAL RIPPLE	≤ 10%
DC RATED OPERATIONAL CURRENT	≤ 100 mA
NO-LOAD CURRENT	≤ 15 mA
RESIDUAL CURRENT	≤ 0.1 mA
RATED INSULATION VOLTAGE	≤ 0.5 kV
SHORT-CIRCUIT PROTECTION	YES
MAX. VOLTAGE DROP	≤ 1.8 V
WIRE BREAKAGE PROTECTION	INCORPORATED
REVERSE POLARITY PROTECTION	INCORPORATED
OUTPUT FUNCTION	3-WIRE, NORMALLY OPEN, NPN
MAX. SWITCHING FREQUENCY	≤ 3.0 kHz
CABLE	ø3.0, TPU
VIBRATION RESISTANCE	55 Hz (IN ALL 3 PLANES)
SHOCK RESISTANCE	30 g, 11 ms
DEGREE OF PROTECTION	IP 67

SOURCE DRAWING - FOR REFERENCE ONLY

NOTES:

1. "/SV" DESIGNATES SPECIAL PACKAGING FOR VENDING MACHINE.

RELATED DOCUMENTS		3RD ANGLE PROJECTION		THIS DRAWING IS CONFIDENTIAL AND THE PROPERTY OF TURCK INC. USE OF THIS DOCUMENT WITHOUT WRITTEN PERMISSION IS PROHIBITED.		 3000 CAMPUS DRIVE MINNEAPOLIS, MN 55441 1-800-544-7769 (763) 553-7300 (763) 553-0708 fax www.turck.us	
1. 2. 3. 4.				DRFT TV	DATE 12/02/15	DESCRIPTION BI1-EH04-AN6X/SV	
MATERIAL 304 STAINLESS STEEL		ALL DIMENSIONS DISPLAYED ON THIS DRAWING ARE FOR REFERENCE ONLY		APVD A.F.	SCALE 1=.7	IDENTIFICATION NO. 4609687	
FINISH		CONTACT TURCK FOR MORE INFORMATION		UNIT OF MEASUREMENT INCH [MILLIMETER]		REV B	
B UPDATE ID NUMBER PER HARMONIZATION PROJECT		CBM 11/06/17		DO NOT SCALE THIS DRAWING		FILE: 4609687	
REV DESCRIPTION		BY DATE ECO NO.				SHEET 1 OF 1	