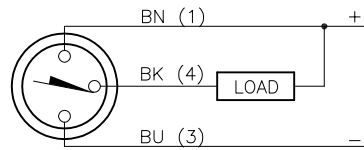
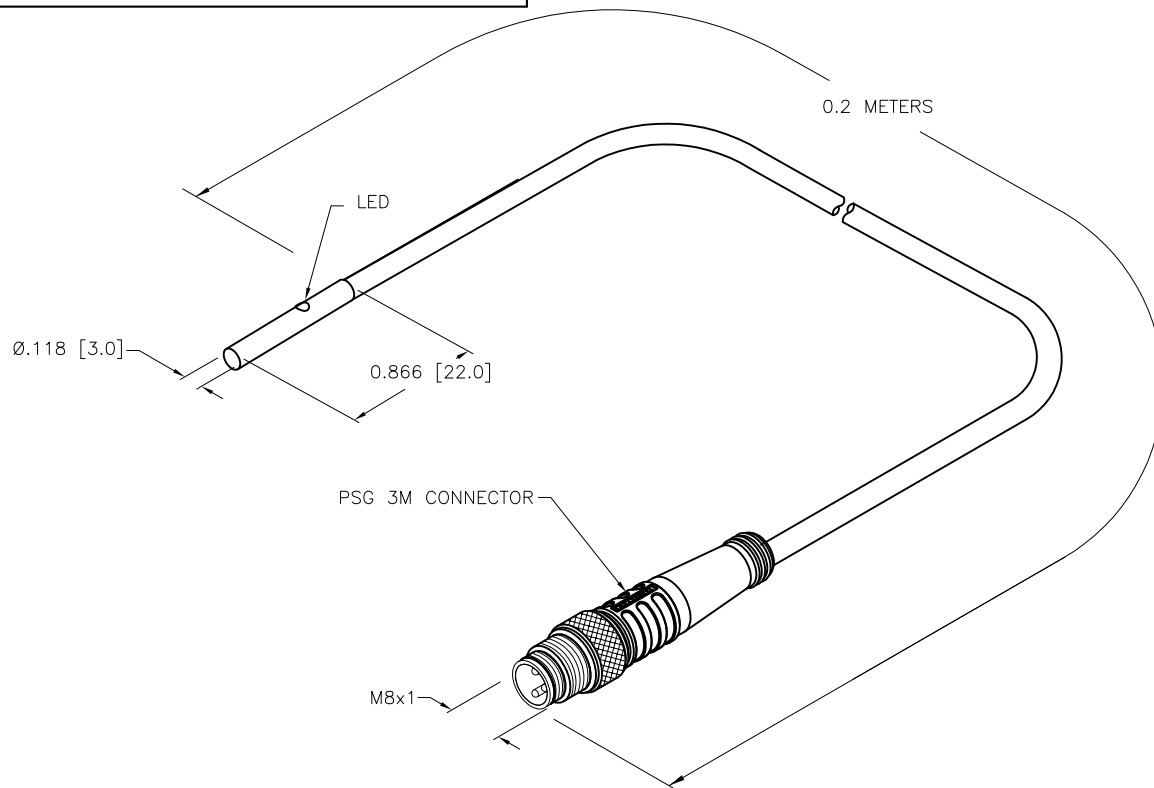


WIRING DIAGRAM



OUTPUT: AN6X

WARNING: NO SHORT-CIRCUIT PROTECTION



SPECIFICATIONS

RATED OPERATING DISTANCE	1 mm [0.039"]
MOUNTING MODE	FLUSH
HYSTERESIS	3-15%
MIN. REPEAT ACCURACY	≤ 2%
MAX. TEMPERTURE DRIFT	≤ ±10%
OPERATING TEMPERATURE	-25°C to +70°C (-13°F to +158°F)
RATED OPERATIONAL VOLTAGE	10-30 VDC
RESIDUAL RIPPLE	≤ 20%
RATED OPERATIONAL CURRENT (DC)	≤ 100 mA
NO LOAD CURRENT	≤ 10 mA
RESIDUAL CURRENT	≤ 0.1 mA
MAX. SWITCHING FREQUENCY	≤ 3 kHz
RATED INSULATION VOLTAGE	≤ 0.5 kV
OUTPUT FUNCTION	3-WIRE, NORMALLY OPEN, NPN
SHORT-CIRCUIT PROTECTED	YES
MAX. VOLTAGE DROP	≤ 2.0 V
WIRE-BREAK PROTECTION	INCORPORATED
REVERSE POLARITY PROTECTION	INCORPORATED
HOUSING MATERIAL	METAL, V2A 1.4301
ACTIVE FACE	PLASTIC, POLYESTER
CABLE	∅2.6, LiY-11Y, TPU
VIBRATION RESISTANCE	55 Hz, 1 mm AMPLITUDE (IN ALL 3 PLANES)
SHOCK RESISTANCE	30 g, 11 ms
DEGREE OF PROTECTION	IP 67
SWITCHING STATUS INDICATION	LED, YELLOW

SOURCE DRAWING - FOR REFERENCE ONLY

RELATED DOCUMENTS 1. 2. 3. 4.	3RD ANGLE PROJECTION 	THIS DRAWING IS CONFIDENTIAL AND THE PROPERTY OF TURCK INC. USE OF THIS DOCUMENT WITHOUT WRITTEN PERMISSION IS PROHIBITED.		3000 CAMPUS DRIVE MINNEAPOLIS, MN 55441 1-800-544-7769 (763) 553-7300 (763) 553-0708 fax www.turck.us	
	MATERIAL	ALL DIMENSIONS DISPLAYED ON THIS DRAWING ARE FOR REFERENCE ONLY	DRFT RDS APVD A.F.	DATE 07/22/15 SCALE 1=1.0	DESCRIPTION BI1-EH03-AN6X-0.2-PSG3M
FINISH	CONTACT TURCK FOR MORE INFORMATION	UNIT OF MEASUREMENT INCH [MILLIMETER]		IDENTIFICATION NO. 16193260	REV B
B UPDATE ID NUMBER PER HARMONIZATION PROJECT REV DESCRIPTION	CBM 12/20/17 BY DATE ECO NO.	DO NOT SCALE THIS DRAWING		FILE: 16193260	SHEET 1 OF 1

B	UPDATE ID NUMBER PER HARMONIZATION PROJECT	CBM	12/20/17	
REV	DESCRIPTION	BY	DATE	ECO NO.