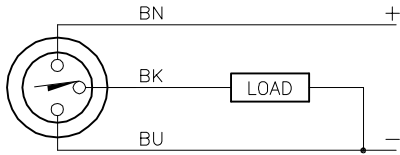


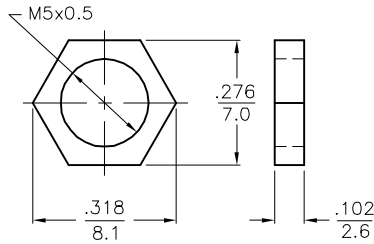
WIRING DIAGRAM



OUTPUT: AP6X

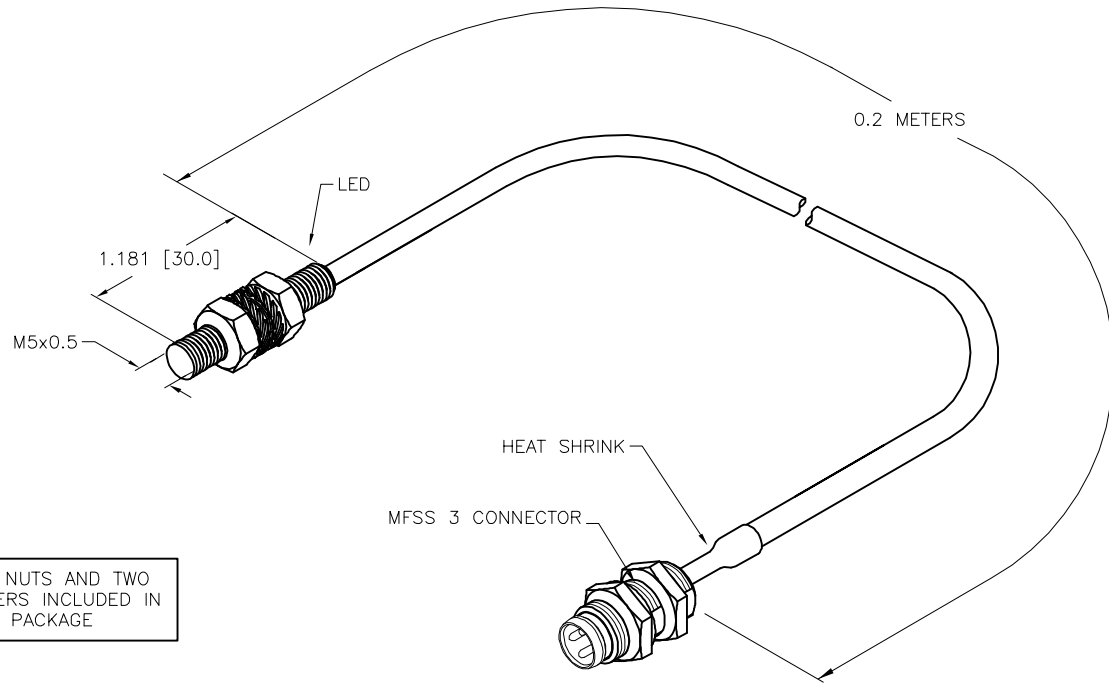
SHORT-CIRCUIT AND OVERLOAD PROTECTED

LOCKNUT LN-SS5



SPECIFICATIONS

RATED OPERATING DISTANCE	1.0 mm = .039"
MOUNTING MODE	FLUSH
MIN. REPEAT ACCURACY	≤ 2%
TEMPERATURE DRIFT	≤ ± 10%
HYSTERESIS	3-15%
OPERATING TEMPERATURE	-25°C to +70°C (-13°F to +158°F)
RATED OPERATIONAL VOLTAGE	10-30 VDC
RESIDUAL RIPPLE	≤ 10%
DC RATED OPERATIONAL CURRENT	≤ 100 mA
NO-LOAD CURRENT	≤ 15 mA
RESIDUAL CURRENT	≤ 0.1 mA
RATED INSULATION VOLTAGE	≤ 0.5 kV
SHORT-CIRCUIT PROTECTED	YES
MAX VOLTAGE DROP	≤ 1.8 V
WIRE BREAKAGE PROTECTION	INCORPORATED
REVERSE POLARITY PROTECTION	INCORPORATED
OUTPUT FUNCTION	3-WIRE, NORMALLY OPEN, PNP
MAX. SWITCHING FREQUENCY	≤ 3.0 kHz
HOUSING MATERIAL	STAINLESS STEEL, 1.4427
ACTIVE FACE MATERIAL	PLASTIC, PA12
CABLE	∅3.0, TPU
SHOCK RESISTANCE	30 g, 11 ms
VIBRATION RESISTANCE	55 Hz, 1 mm AMPLITUDE (IN ALL 3 PLANES)
DEGREE OF PROTECTION	IP67
SWITCHING STATUS INDICATION	LED: YELLOW



TWO NUTS AND TWO WASHERS INCLUDED IN PACKAGE

SOURCE DRAWING - FOR REFERENCE ONLY

NOTES:

1. "/S1788" DESIGNATES 0.2M CABLE WITH MFSS 3 CONNECTOR ADDED. HEAT SHRINK COVERS PORTION OF EXPOSED WIRES THAT ARE POTTED INTO BACKSIDE OF BULKHEAD. INCLUDES S1367 LEGACY SENSOR.
2. REMOVE O-RING ON MFSS 3 CONNECTOR. ADD BACK NUT TO MFSS3 CONNECTOR.
3. TWO NUTS AND TWO WASHERS INCLUDED IN PACKAGE

RELATED DOCUMENTS		3RD ANGLE PROJECTION		THIS DRAWING IS CONFIDENTIAL AND THE PROPERTY OF TURCK INC. USE OF THIS DOCUMENT WITHOUT WRITTEN PERMISSION IS PROHIBITED.		3000 CAMPUS DRIVE MINNEAPOLIS, MN 55441 1-800-544-7769 (763) 553-7300 (763) 553-0708 fax www.turck.us	
1. 2. 3. 4.				DRFT RDS DATE 07/22/11		DESCRIPTION BI1-EG05-AP6X-0.2-MFSS 3/S1788	
MATERIAL SEE SPECIFICATIONS		ALL DIMENSIONS DISPLAYED ON THIS DRAWING ARE FOR REFERENCE ONLY		APVD A.F. SCALE 1=1.0		IDENTIFICATION NO. 46097400	
FINISH SEE SPECIFICATIONS		CONTACT TURCK FOR MORE INFORMATION		UNIT OF MEASUREMENT INCH [MILLIMETER]		REV E	
E UPDATED DRAWING AS 11/21/25 81533		DO NOT SCALE THIS DRAWING		FILE: 46097400		SHEET 1 OF 1	
REV DESCRIPTION BY DATE ECO NO.							