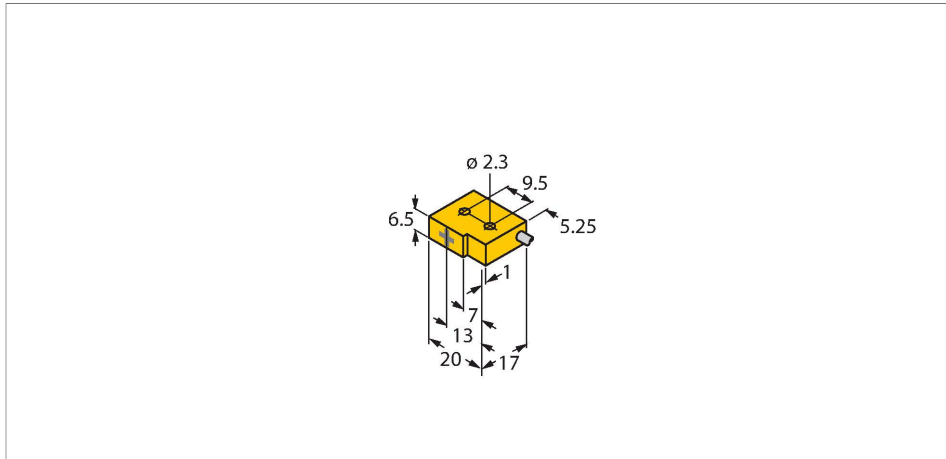


# BI0.7-Q6.5-AP6/S1295

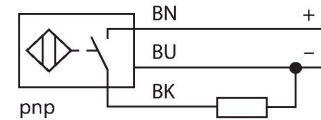
## Inductive Sensor – With Increased Temperature Range



### Features

- Rectangular, height 6.5 mm
- Active face, lateral
- Plastic, PP GR-20
- Temperatures up to +85°C
- Resistant to magnetic fields
- DC 3-wire, 10...30 VDC
- NO contact, PNP output
- Cable connection

### Wiring diagram



### Technical data

Type	BI0.7-Q6.5-AP6/S1295
ID	4613426
Special version	S1295 Corresponds to: Temperature range up to 85 °C and small hysteresis (0.1 mm), resistant to magnetic fields, Lif9Y-11Y 3*0.14 mm <sup>2</sup> Ø 3 mm
<b>General data</b>	
Rated switching distance	0.7 mm
	Secured operating distance 0.7...1.0 mm
Mounting conditions	Flush
Secured operating distance	≤ (0.81 × Sn) mm
Correction factors	St37 = 1; Al = 0; stainless steel = 0.6; Ms = 0
Repeat accuracy	≤ 2 % of full scale
Temperature drift	≤ ±8 %
Hysteresis	1...4 %
<b>Electrical data</b>	
Operating voltage U <sub>s</sub>	10...30 VDC
Ripple U <sub>ss</sub>	≤ 10 % U <sub>Bmax</sub>
DC rated operating current I <sub>s</sub>	≤ 150 mA
No-load current	≤ 15 mA
Residual current	≤ 0.1 mA
Isolation test voltage	0.5 kV
Short-circuit protection	yes/Cyclic
Voltage drop at I <sub>s</sub>	≤ 1.8 V

### Functional principle

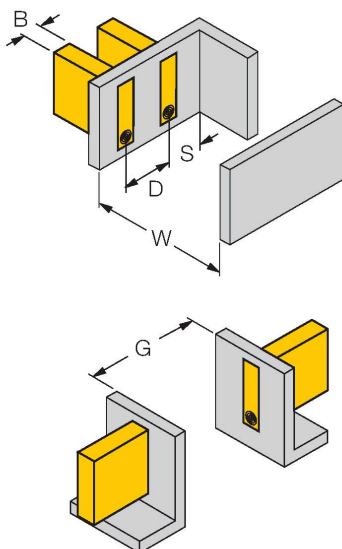
Inductive sensors detect metal objects contactless and wear-free. For this, they use a high-frequency electromagnetic AC field that interacts with the target. Inductive sensors generate this field via an RLC circuit with a ferrite coil.

## Technical data

Wire break/reverse polarity protection	yes/Complete
Output function	3-wire, NO contact, PNP
Switching frequency	1 kHz
<b>Mechanical data</b>	
Design	Rectangular, Q6,5
Dimensions	20.2 x 17.2 x 6.5 mm
Housing material	Plastic, PP GR-20
Active area material	PP GR-20
Electrical connection	Cable
Cable quality	Ø 3 mm, Gray, Lif9Y-11Y, PUR, 2 m
	Suited for E-ChainSystems® acc. to manufacturers declaration H1063M
Core cross-section	3 x 0.14 mm <sup>2</sup>
<b>Environmental conditions</b>	
Ambient temperature	-25...+85 °C
Vibration resistance	55 Hz (1 mm)
Shock resistance	30 g (11 ms)
Protection class	IP67

## Mounting instructions

### Mounting instructions/Description



Distance D	2 x B
Distance W	3 x Sn
Distance S	1 x B
Distance G	6 x Sn
Width active area B	6.5 mm

**Note for installation in ST37:**  
4-side flush mounting is not possible