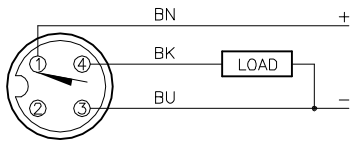
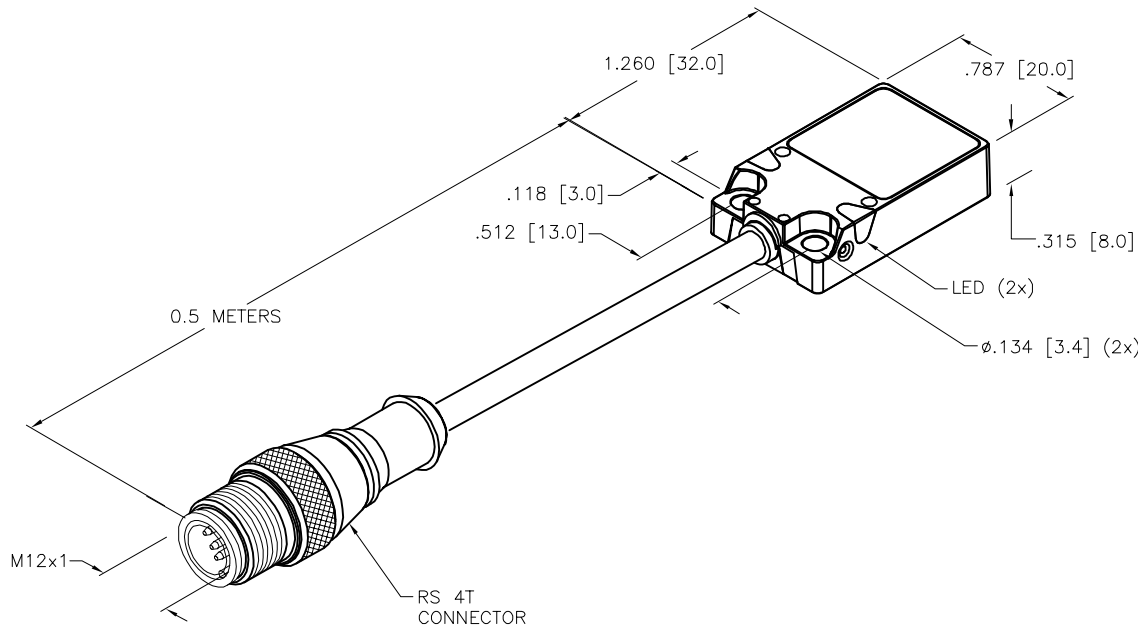


WIRING DIAGRAM



OUTPUT: AP6X2

SHORT-CIRCUIT AND OVERLOAD PROTECTED



SPECIFICATIONS

| | |
|------------------------------|---|
| RATED OPERATING DISTANCE | 5mm = .197" (NOMINAL) |
| MOUNTING MODE | FLUSH or NON-FLUSH |
| TEMPERATURE DRIFT | $\leq \pm 20\%$ |
| HYSTERESIS | 2-20% |
| MIN. REPEAT ACCURACY | $\leq 2\%$ |
| OPERATING TEMPERATURE | -25°C to +70°C (-13°F to +158°F) |
| RATED OPERATIONAL VOLTAGE | 10-30 VDC |
| RESIDUAL RIPPLE | $\leq 10\%$ |
| DC RATED OPERATIONAL CURRENT | ≤ 200 mA |
| NO-LOAD CURRENT | ≤ 15 mA |
| RESIDUAL CURRENT | ≤ 0.1 mA |
| MAX. SWITCHING FREQUENCY | ≤ 0.1 kHz |
| RATED INSULATION VOLTAGE | ≤ 0.5 kV |
| OUTPUT FUNCTION | NORMALLY OPEN, 3-WIRE, PNP |
| SHORT-CIRCUIT PROTECTED | YES |
| MAX. VOLTAGE DROP | ≤ 1.8 V |
| REVERSE POLARITY PROTECTION | INCORPORATED |
| WIRE-BREAK PROTECTION | INCORPORATED |
| HOUSING MATERIAL | METAL, ZAMAK, NICKEL-PLATED |
| ACTIVE FACE MATERIAL | PLASTIC, PP, YELLOW |
| CABLE | $\phi 3.0$, Lify-11Y, TPU |
| SHOCK | 30 g, 11 ms |
| VIBRATION | 55 Hz, 1 mm AMPLITUDE (IN ALL 3 PLANES) |
| DEGREE OF PROTECTION | IP68 |
| OPERATING VOLTAGE DISPLAY | LED: GREEN |
| SWITCHING STATUS INDICATION | LED: YELLOW |

| CABLE LENGTH | TOLERANCE* |
|--------------|---|
| ALL LENGTHS | + 4% (OR 50mm) OF LENGTH - 0% (OR 0mm) OF LENGTH WHICHEVER IS GREATER |
| STRIP LENGTH | TOLERANCE* |
| 0-7mm | ± 0.5 mm |
| 8-29mm | ± 1.0 mm |
| 30-49mm | ± 2.0 mm |
| 50-69mm | ± 3.0 mm |
| 70-100mm | ± 4.0 mm |
| OVER 100mm | ± 5.0 mm |

* UNLESS OTHERWISE SPECIFIED

NOTES:

1. "/S250" DESIGNATES CAPACITIVE SENSOR WITH FIXED CALIBRATION.

SOURCE DRAWING - FOR REFERENCE ONLY

| | | | | | |
|---|---|--|---------------|--|--|
| RELATED DOCUMENTS 1. 2. 3. 4. | 3RD ANGLE PROJECTION | THIS DRAWING IS CONFIDENTIAL AND THE PROPERTY OF TURCK INC. USE OF THIS DOCUMENT WITHOUT WRITTEN PERMISSION IS PROHIBITED. | | 3000 CAMPUS DRIVE MINNEAPOLIS, MN 55441 1-800-544-7769 (763) 553-7300 (763) 553-0708 fax www.turck.us | |
| | MATERIAL | DRFT RDS | DATE 04/28/10 | DESCRIPTION BC5-Q08-AP6X2-0.5-RS4T/S250 | |
| FINISH | ALL DIMENSIONS DISPLAYED ON THIS DRAWING ARE FOR REFERENCE ONLY | APVD | SCALE 1=1.0 | IDENTIFICATION NO. 2620092 | |
| CONTACT TURCK FOR MORE INFORMATION | | UNIT OF MEASUREMENT INCH [MILLIMETER] | | REV E | |
| DO NOT SCALE THIS DRAWING | | FILE: 2620092 | | SHEET 1 OF 1 | |

| | | | | |
|-----|-------------------------|-----|----------|--------------|
| E | UPDATE SENSOR AND SPECS | RDS | 02/23/21 | 500000002453 |
| REV | DESCRIPTION | BY | DATE | ECO NO. |