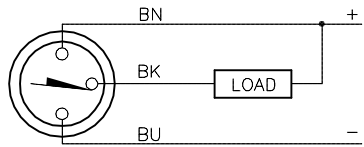
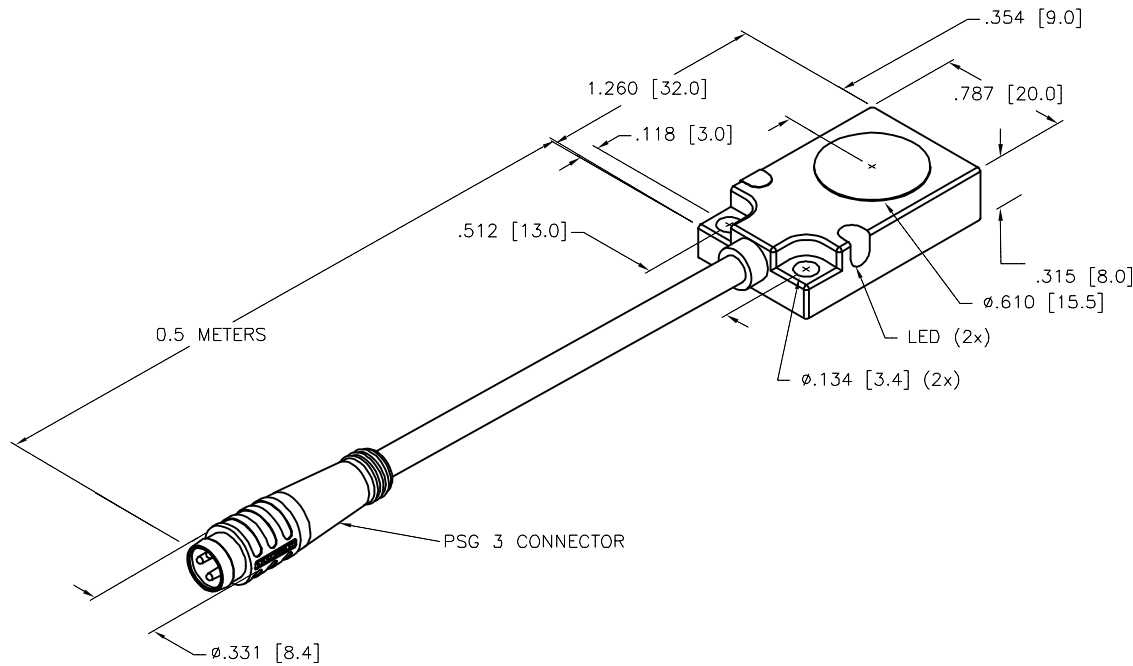


WIRING DIAGRAM



OUTPUT: AN6X2

SHORT-CIRCUIT AND OVERLOAD PROTECTED



SPECIFICATIONS

RATED OPERATING DISTANCE	5mm = .197" (NOMINAL)
MOUNTING MODE	FLUSH or NON-FLUSH
TEMPERATURE DRIFT	$\leq \pm 20\%$
HYSTERESIS	2-20%
MIN. REPEAT ACCURACY	$\leq 2\%$
OPERATING TEMPERATURE	-25°C to +70°C (-13°F to +158°F)
RATED OPERATIONAL VOLTAGE	10-30 VDC
RESIDUAL RIPPLE	$\leq 10\%$
DC RATED OPERATIONAL CURRENT	$\leq 200$ mA
NO-LOAD CURRENT	$\leq 15$ mA
RESIDUAL CURRENT	$\leq 0.1$ mA
MAX. SWITCHING FREQUENCY	$\leq 0.1$ kHz
RATED INSULATION VOLTAGE	$\leq 0.5$ kV
OUTPUT FUNCTION	NORMALLY OPEN, 3-WIRE, NPN
SHORT-CIRCUIT PROTECTED	YES
MAX. VOLTAGE DROP	$\leq 1.8$ V
REVERSE POLARITY PROTECTION	INCORPORATED
WIRE-BREAK PROTECTION	INCORPORATED
HOUSING MATERIAL	METAL, GD-ZN, BLACK
ACTIVE FACE MATERIAL	PLASTIC, PA12-GF30
CABLE	$\phi 4.0$ , LifYY, PVC
SHOCK	30 g, 11 ms
VIBRATION	55 Hz, 1 mm AMPLITUDE (IN ALL 3 PLANES)
DEGREE OF PROTECTION	IP67
OPERATING VOLTAGE DISPLAY	LED: GREEN
SWITCHING STATUS INDICATION	LED: YELLOW

CABLE LENGTH	TOLERANCE*
ALL LENGTHS	+ 4% (OR 50mm) OF LENGTH - 0% (OR 0mm) OF LENGTH WHICHEVER IS GREATER
STRIP LENGTH	TOLERANCE*
0-7mm	$\pm 0.5$ mm
8-29mm	$\pm 1.0$ mm
30-49mm	$\pm 2.0$ mm
50-69mm	$\pm 3.0$ mm
70-100mm	$\pm 4.0$ mm
OVER 100mm	$\pm 5.0$ mm

\*UNLESS OTHERWISE SPECIFIED

NOTES:

1. "/S250" DESIGNATES CAPACITIVE SENSOR WITH FIXED CALIBRATION.

SOURCE DRAWING - FOR REFERENCE ONLY

RELATED DOCUMENTS 1. 2. 3. 4.	3RD ANGLE PROJECTION 	THIS DRAWING IS CONFIDENTIAL AND THE PROPERTY OF TURCK INC. USE OF THIS DOCUMENT WITHOUT WRITTEN PERMISSION IS PROHIBITED.		 3000 CAMPUS DRIVE MINNEAPOLIS, MN 55441 1-800-544-7769 (763) 553-7300 (763) 553-0708 fax www.turck.us
		DRFT RDS	DATE 12/07/07	
MATERIAL	ALL DIMENSIONS DISPLAYED ON THIS DRAWING ARE FOR REFERENCE ONLY	APVD MH	SCALE 1=1.0	DESCRIPTION BC5-Q08-AN6X2-0.5-PSG3/S250
FINISH		UNIT OF MEASUREMENT <b>INCH [ MILLIMETER ]</b>		IDENTIFICATION NO. 26201106
CONTACT TURCK FOR MORE INFORMATION		DO NOT SCALE THIS DRAWING		REV F
F UPDATE DESCRIPTION		RDS	07/09/19	500000000209
REV	DESCRIPTION	BY	DATE	ECO NO.