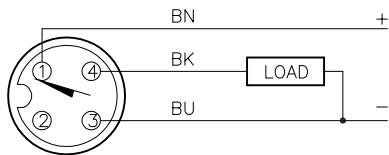


WIRING DIAGRAM

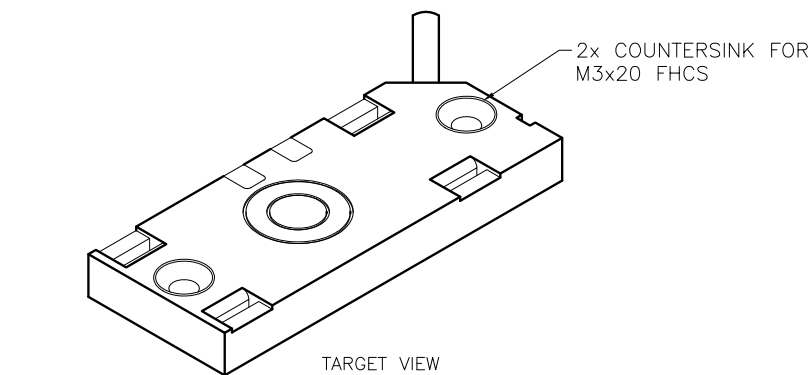
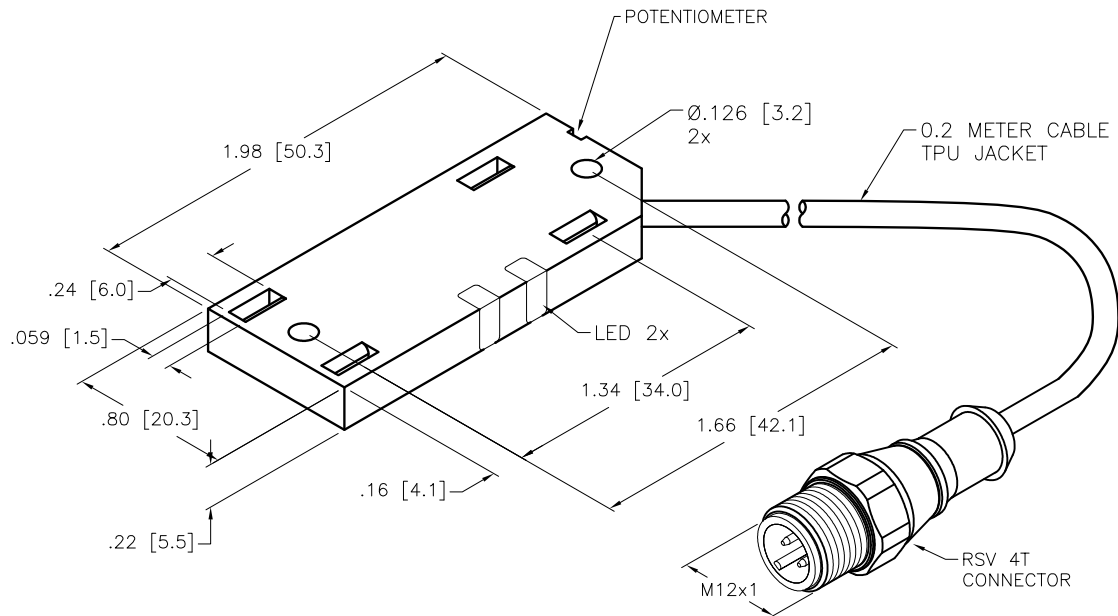


OUTPUT: AP6X2

SHORT-CIRCUIT AND OVERLOAD PROTECTED

SPECIFICATIONS

OPERATING VOLTAGE	10-30 VDC
RESIDUAL RIPPLE	≤10%
HYSTERESIS	2-20% (5% TYPICAL)
VOLTAGE DROP ACROSS CONDUCTING SENSOR	≤1.8 V at 200 mA
OUTPUT FUNCTION	NORMALLY OPEN, PNP
TTL COMPATIBLE	NO
SHORT-CIRCUIT PROTECTED	YES
TRIGGER CURRENT FOR OVERLOAD PROTECTION	≥220 mA
CONTINUOUS LOAD CURRENT	≤200 mA
RESIDUAL CURRENT	<100 μA
NO-LOAD CURRENT	≤15 mA
TIME DELAY BEFORE AVAILABILITY	≤8 ms
POWER-ON EFFECT	Per IEC 947-5-2
REVERSE POLARITY PROTECTION	YES
WIRE BREAK PROTECTION	YES
TRANSIENT PROTECTION	Per EN 60947-5-2
OPERATING TEMPERATURE	-25°C to +70°C (-13°F to +158°F)
MAX RELATIVE TEMPERATURE DRIFT	≤20 %
ENCLOSURE	MEETS NEMA 1, 3, 4, 6, 13 AND IEC IP67
SHOCK	30 g, 11 ms
VIBRATION	55 Hz, 1 mm AMPLITUDE (IN ALL 3 PLANES)
LED FUNCTION	YELLOW = OUTPUT ENERGIZED GREEN = POWER ON
RATED OPERATING DISTANCE	10 mm = .394" (ADJUSTABLE)
SWITCHING FREQUENCY	100 Hz
REPEATABILITY	≤2% OF RATED OPERATING DISTANCE
EMBEDDABLE (SHIELDED)	YES



SOURCE DRAWING - FOR REFERENCE ONLY

RELATED DOCUMENTS 1. 2. 3. 4.	3RD ANGLE PROJECTION 	THIS DRAWING IS CONFIDENTIAL AND THE PROPERTY OF TURCK INC. USE OF THIS DOCUMENT WITHOUT WRITTEN PERMISSION IS PROHIBITED.		3000 CAMPUS DRIVE MINNEAPOLIS, MN 55441 1-800-544-7769 (763) 553-7300 (763) 553-0708 fax www.turck.us	
	MATERIAL POLYPROPYLENE PLASTIC	ALL DIMENSIONS DISPLAYED ON THIS DRAWING ARE FOR REFERENCE ONLY	DRFT RDS APVD K.H.	DATE 11/03/11 SCALE NONE	DESCRIPTION BC10-QF5.5-AP6X2-0.2-RSV4T
FINISH	CONTACT TURCK FOR MORE INFORMATION	UNIT OF MEASUREMENT INCH [MILLIMETER]		IDENTIFICATION NO. 26201170	REV B
B UPDATE ID NUMBER PER HARMONIZATION PROJECT REV DESCRIPTION	CBM 12/21/17 BY DATE ECO NO.	DO NOT SCALE THIS DRAWING		FILE: 26201170	SHEET 1 OF 1

B	UPDATE ID NUMBER PER HARMONIZATION PROJECT	CBM	12/21/17	
REV	DESCRIPTION	BY	DATE	ECO NO.