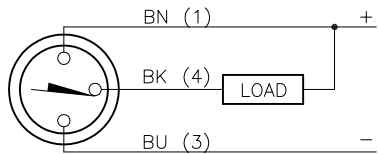
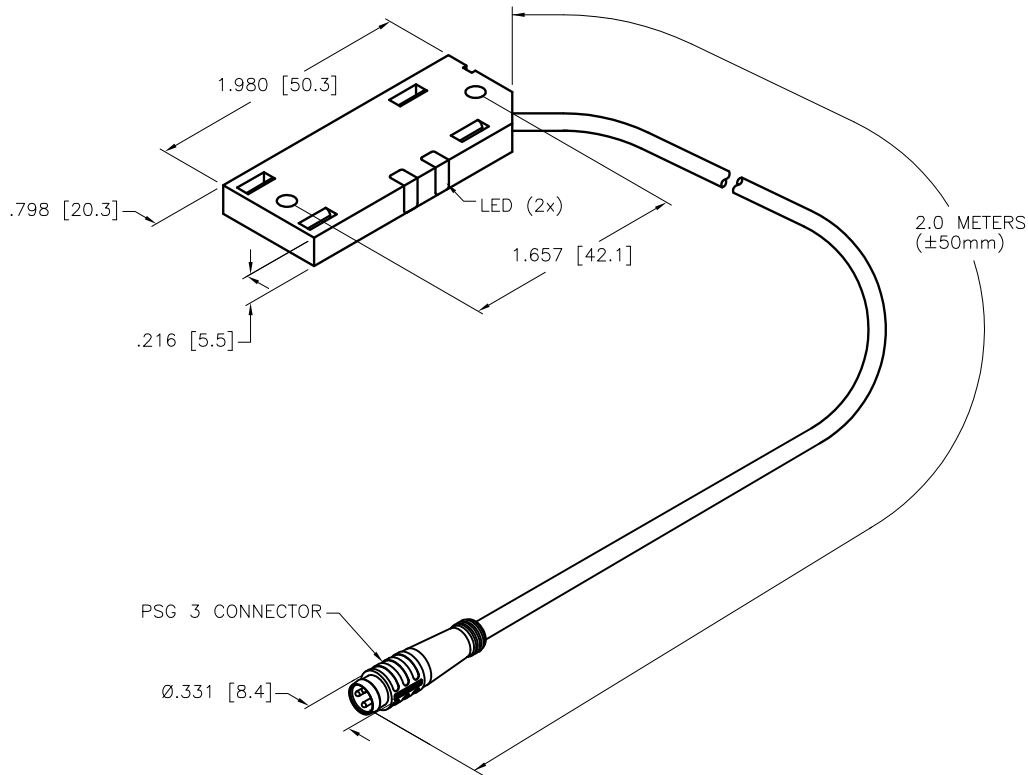


WIRING DIAGRAM



OUTPUT: AN6X2

SHORT-CIRCUIT AND OVERLOAD PROTECTED




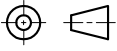
NOTES:

1. "/S932" 5.5 STYLE HOUSING, SEALED POT. METAL INSERTS REMOVED FROM MOUNTING HOLES.
2. "/S1165" DESIGNATES SPECIAL TPE CABLE.

SPECIFICATIONS

OPERATING VOLTAGE	10-30 VDC
RESIDUAL RIPPLE	≤10%
HYSTERESIS	2-20% (5% TYPICAL)
VOLTAGE DROP ACROSS CONDUCTING SENSOR	≤1.8 V at 200 mA
OUTPUT FUNCTION	NORMALLY OPEN, NPN
TTL COMPATIBLE	NO
SHORT-CIRCUIT PROTECTED	YES
TRIGGER CURRENT FOR OVERLOAD PROTECTION	≥ 220 mA
CONTINUOUS LOAD CURRENT	≤ 200 mA
RESIDUAL CURRENT	<100 µA
NO-LOAD CURRENT	≤15 mA
TIME DELAY BEFORE AVAILABILITY	≤ 8 ms
POWER-ON EFFECT	Per IEC 947-5-2
REVERSE POLARITY PROTECTION	YES
WIRE BREAK PROTECTION	YES
TRANSIENT PROTECTION	Per EN 60947-5-2
OPERATING TEMPERATURE	-25°C to +70°C (-13°F to +158°F)
MAX RELATIVE TEMPERATURE DRIFT	≤ 20 %
ENCLOSURE	MEETS NEMA 1, 3, 4, 6, 13 AND IEC IP67
SHOCK	30 g, 11 ms
VIBRATION	55 Hz, 1 mm AMPLITUDE (IN ALL 3 PLANES)
LED FUNCTION	YELLOW = OUTPUT ENERGIZED GREEN = POWER ON
RATED OPERATING DISTANCE	10 mm = .394"
SWITCHING FREQUENCY	100 Hz
REPEATABILITY	≤ 2% OF RATED OPERATING DISTANCE
EMBEDDABLE (SHIELDED)	YES
CABLE	Ø3.0, TPE (BLACK)
<b>PICOFAST CONNECTOR SPECIFICATIONS</b>	
CONTACT CARRIER MATERIAL	NYLON OR TPU
MOLDED HEAD MATERIAL/COLOR	TPU/YELLOW
CONTACT MATERIAL/PLATING	BRASS/GOLD

SOURCE DRAWING - FOR REFERENCE ONLY

RELATED DOCUMENTS		3RD ANGLE PROJECTION		THIS DRAWING IS CONFIDENTIAL AND THE PROPERTY OF TURCK INC. USE OF THIS DOCUMENT WITHOUT WRITTEN PERMISSION IS PROHIBITED.		 3000 CAMPUS DRIVE MINNEAPOLIS, MN 55441 1-800-544-7769 (763) 553-7300 (763) 553-0708 fax www.turck.us	
1.				DRFT	RDS	DATE	03/21/13
2.				APVD	K.H.	SCALE	1=1.5
3.		ALL DIMENSIONS DISPLAYED ON THIS DRAWING ARE FOR REFERENCE ONLY		UNIT OF MEASUREMENT		DESCRIPTION	
4.				INCH [ MILLIMETER ]		BC10-QF5.5-AN6X2-2-PSG3/S932/S1165	
MATERIAL		CONTACT TURCK FOR MORE INFORMATION		IDENTIFICATION NO.		REV	
FINISH				26201470		C	
DO NOT SCALE THIS DRAWING		FILE: 26201470		SHEET 1 OF 1			

C	UPDATE ID NUMBER PER HARMONIZATION PROJECT	CBM	12/20/17	
REV	DESCRIPTION	BY	DATE	ECO NO.