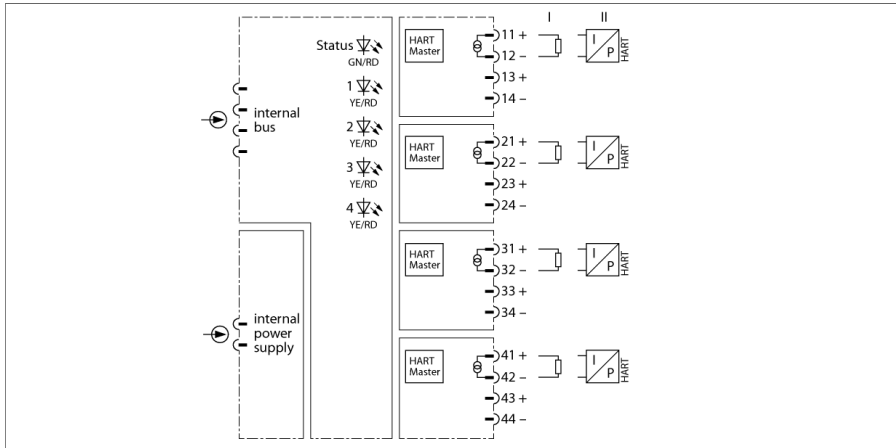


# excom I/O System

## Output Module, Analog, HART, 4-channel

### AOH401-N



The output module AOH401-N is designed for the connection of analog actuators such as control valves or process indicators.

The module is functionally compatible with the input modules AO40-N and AOH40-N. In addition, the inputs are galvanically isolated.

The analog value of 0...21 mA is digitized as a number between 0 and 21000. This corresponds to 1 µA per digit.

HART-compatible actuators that communicate directly with the relevant HART controller can be connected to the module. HART multiplexing is thus no longer necessary and a higher data throughput is achieved.

Up to 8 HART variables (max. 4 per channel) can be transmitted via the cyclic user data to the host system. Acyclic data exchange provides advanced communication options such as the diagnostics and parameterization of HART field devices.

The setting of parameters is initiated solely by the host system. The following parameters can be set for each channel:

- Short circuit monitoring
- Wire-break monitoring
- Substitute value strategy
- HART status/measuring range
- HART variables

- Output module for the connection of analog actuators
- Transmission of HART data
- One HART controller per channel for faster access to HART data
- Complete galvanic isolation

## Dimensions

Type	AOH401-N
ID	6884270
Supply voltage	Via module rack, central power supply module
Power consumption	≤ 3 W
Power dissipation	≤ 1.5 W
Galvanic isolation	Complete galvanic isolation
Number of channels	4
Output circuits	0/4...22 mA
No-load voltage	17.5 VDC
HART impedance	> 240 Ω
External load	≤ 680 Ω
Short circuit	< 50 Ω (only with "live zero")
Wire break	< 2 mA (only with "live zero")
Reference temperature	25 °C
Resolution	1 μA / digit
Measuring accuracy (including linearity, hysteresis and repeatability)	≤ 0.06 % of full scale
Temperature drift	≤ 0.0025 % of full scale/K
Rise time/fall time	≤ 40 ms (10...90 %)
Max. measurement tolerance under EMC influence	≤ 0.06 % of full scale with shielded signal cable ≤ 1 % of full scale with unshielded signal cable
Ex approval acc. to conformity certificate	IECEX TUR 21.0012X
Ex approval acc. to conformity certificate	TÜV 21 ATEX 8643 X
Device designation	Ⓔ II 3 G Ex ec IIC T4 Gc
Displays/Operating elements	
Operational readiness	1 × green/red
State/ Fault	4 × red/yellow
Housing material	Plastic
Connection mode	module, plugged on rack
Protection class	IP20
Ambient temperature	-40...+70 °C
Relative humidity	≤ 93 % at 40 °C acc. to IEC 60068-2-78
Vibration test	Acc. to IEC 60068-2-6
Shock test	Acc. to IEC 60068-2-27
EMC	Acc. to EN 61326-1 Acc. to Namur NE21
MTTF	40 years acc. to SN 29500 (Ed. 99) 40 °C
Dimensions	18 x 118 x 106 mm
Approvals	ATEX cFMus cFM IECEX CE

